
Installing the Air Baffle

1. **Determine the correct hole numbers for mounting the baffle in your system configuration.**
Refer to the *Rackmount Placement Matrix* to verify the correct placement.
2. **Using a #2 Phillips screwdriver, remove the screws securing the support bracket to the frame then remove the support bracket.**
Keep the screws for securing the air baffle.
3. **Orient the air baffle on the left of the cabinet interior with the slotted flange toward the rear of the cabinet.**
4. **Using a #2 Phillips screwdriver, secure the air baffle in place at the front and rear with the screws removed in Step 2.**

Sun Documentation on the Web

The docs.sun.com web site enables you to access Sun technical documentation on the Web. You can browse the docs.sun.com archive or search for a specific book title or subject at:


<http://docs.sun.com>

Sun Welcomes Your Comments

You can email your comments to us at: smcc-docs@sun.com
Please include the part number of your document in the subject line of your email.

Copyright 1998 Sun Microsystems, Inc. All rights reserved. Use is subject to license terms. Third-party software, including font technology, is copyrighted and licensed from Sun suppliers. Sun, Sun Microsystems, the Sun Logo, SunDocs, and Solaris are trademarks or registered trademarks of Sun Microsystems, Inc. in the U.S. and other countries. **RESTRICTED RIGHTS:** Use, duplication, or disclosure by the U.S. Government is subject to restrictions of FAR 52.227-14(g)(2)(6/87) and FAR 52.227-19(6/87), or DFAR 252.227-7015(b)(6/95) and DFAR 227.7202-3(a).

Copyright 1998 Sun Microsystems, Inc. Tous droits réservés. Distribué par des licences qui en restreignent l'utilisation. Le logiciel détenu par des tiers, et qui comprend la technologie relative aux polices de caractères, est protégé par un copyright et licencié par des fournisseurs de Sun. Sun, Sun Microsystems, le logo Sun, SunDocs, et Solaris sont des marques de fabrique ou des marques déposées de Sun Microsystems, Inc. aux Etats-Unis et dans d'autres pays.

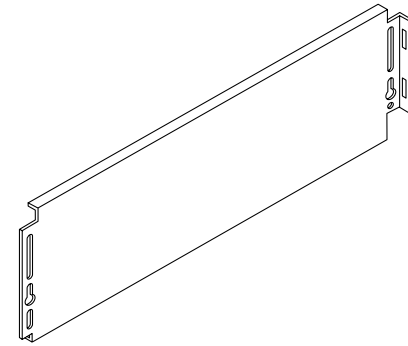
 Sun Microsystems Computer Company • 901 San Antonio Road • Palo Alto, CA 94303-4900 USA • 650 960-1300 • Fax 650 969-9131



Part Number: 805-5468-10
Revision A of May 1998



Sun™ Enterprise™ Air Baffle for the StorEdge™ A5000 Installation Guide



Note – The air baffle is required only when the number of StorEdge™ A5000s is one less than the maximum allowable configuration. Otherwise, the baffle is not required.

The air baffle is used in the Sun™ Enterprise™ 6500 or 5500 system cabinets or the 68-inch Sun™ Enterprise™ Expansion Cabinet. The baffle replaces the corresponding support bracket in the rack.

If the StorEdge A5000 is placed in the wrong mounting holes, the air baffle will not fit properly. Refer to the *Rackmount Placement Matrix* to verify the correct mounting holes. The guide is available on the Web by accessing <http://docs.sun.com> and clicking on the Storage & Peripherals link listed in the Hardware section. If you are unable to access the Web, contact your service provider for the correct mounting hole numbers.



