



# Rackmount Installation Guide

---

Sun Microsystems, Inc.  
901 San Antonio Road  
Palo Alto, CA 94303  
U.S.A. 650-960-1300

Part No. 806-3856-13  
April 2002, [Revision A](#)

[Send comments about this document to: docfeedback@sun.com](mailto:docfeedback@sun.com)

Copyright 2000 Sun Microsystems, Inc., 901 San Antonio Road • Palo Alto, CA 94303 USA. All rights reserved.

This product or document is protected by copyright and distributed under licenses restricting its use, copying, distribution, and decompilation. No part of this product or document may be reproduced in any form by any means without prior written authorization of Sun and its licensors, if any. Third-party software, including font technology, is copyrighted and licensed from Sun suppliers.

Parts of the product may be derived from Berkeley BSD systems, licensed from the University of California. UNIX is a registered trademark in the U.S. and other countries, exclusively licensed through X/Open Company, Ltd. For Netscape Communicator™, the following notice applies: Copyright 1995 Netscape Communications Corporation. All rights reserved.

Sun, Sun Microsystems, the Sun logo, AnswerBook, Java, the Java Coffee Cup logo, Netra, Netra ft, and Solaris are trademarks, registered trademarks, or service marks of Sun Microsystems, Inc. in the U.S. and other countries. All SPARC trademarks are used under license and are trademarks or registered trademarks of SPARC International, Inc. in the U.S. and other countries. Products bearing SPARC trademarks are based upon an architecture developed by Sun Microsystems, Inc.

The OPEN LOOK and Sun™ Graphical User Interface was developed by Sun Microsystems, Inc. for its users and licensees. Sun acknowledges the pioneering efforts of Xerox in researching and developing the concept of visual or graphical user interfaces for the computer industry. Sun holds a non-exclusive license from Xerox to the Xerox Graphical User Interface, which license also covers Sun's licensees who implement OPEN LOOK GUIs and otherwise comply with Sun's written license agreements.

**RESTRICTED RIGHTS:** Use, duplication, or disclosure by the U.S. Government is subject to restrictions of FAR 52.227-14(g)(2)(6/87) and FAR 52.227-19(6/87), or DFAR 252.227-7015(b)(6/95) and DFAR 227.7202-3(a).

DOCUMENTATION IS PROVIDED "AS IS" AND ALL EXPRESS OR IMPLIED CONDITIONS, REPRESENTATIONS AND WARRANTIES, INCLUDING ANY IMPLIED WARRANTY OF MERCHANTABILITY, FITNESS FOR A PARTICULAR PURPOSE OR NON-INFRINGEMENT, ARE DISCLAIMED, EXCEPT TO THE EXTENT THAT SUCH DISCLAIMERS ARE HELD TO BE LEGALLY INVALID.

Copyright 2000 Sun Microsystems, Inc., 901 San Antonio Road • Palo Alto, CA 94303 Etats-Unis. Tous droits réservés.

Ce produit ou document est protégé par un copyright et distribué avec des licences qui en restreignent l'utilisation, la copie, la distribution, et la décompilation. Aucune partie de ce produit ou document ne peut être reproduite sous aucune forme, par quelque moyen que ce soit, sans l'autorisation préalable et écrite de Sun et de ses bailleurs de licence, s'il y en a. Le logiciel détenu par des tiers, et qui comprend la technologie relative aux polices de caractères, est protégé par un copyright et licencié par des fournisseurs de Sun.

Des parties de ce produit pourront être dérivées des systèmes Berkeley BSD licenciés par l'Université de Californie. UNIX est une marque déposée aux Etats-Unis et dans d'autres pays et licenciée exclusivement par X/Open Company, Ltd. La notice suivante est applicable à Netscape Communicator™ : Copyright 1995 Netscape Communications Corporation. All rights reserved.

Sun, Sun Microsystems, le logo Sun, AnswerBook, Java, le logo Java Coffee Cup, Netra, Netra ft, et Solaris sont des marques de fabrique ou des marques déposées, ou marques de service, de Sun Microsystems, Inc. aux Etats-Unis et dans d'autres pays. Toutes les marques SPARC sont utilisées sous licence et sont des marques de fabrique ou des marques déposées de SPARC International, Inc. aux Etats-Unis et dans d'autres pays. Les produits portant les marques SPARC sont basés sur une architecture développée par Sun Microsystems, Inc. [

L'interface d'utilisation graphique OPEN LOOK et Sun™ a été développée par Sun Microsystems, Inc. pour ses utilisateurs et licenciés. Sun reconnaît les efforts de pionniers de Xerox pour la recherche et le développement du concept des interfaces d'utilisation visuelle ou graphique pour l'industrie de l'informatique. Sun détient une licence non exclusive de Xerox sur l'interface d'utilisation graphique Xerox, cette licence couvrant également les licenciés de Sun qui mettent en place l'interface d'utilisation graphique OPEN LOOK et qui en outre se conforment aux licences écrites de Sun.

CETTE PUBLICATION EST FOURNIE "EN L'ETAT" ET AUCUNE GARANTIE, EXPRESSE OU IMPLICITE, N'EST ACCORDEE, Y COMPRIS DES GARANTIES CONCERNANT LA VALEUR MARCHANDE, L'APTITUDE DE LA PUBLICATION A REpondre A UNE UTILISATION PARTICULIERE, OU LE FAIT QU'ELLE NE SOIT PAS CONTREFAISANTE DE PRODUIT DE TIERS. CE DENI DE GARANTIE NE S'APPLIQUERAIT PAS, DANS LA MESURE OU IL SERAIT TENU JURIDIQUEMENT NUL ET NON AVENU.



# Contents

---

- 1. The Sun Rackmounting Kit 1**
  - Rackmounting Kit Overview 2
- 2. Sun 72-inch Expansion Rack 3**
  - ▼ To Assemble the Slides and Mount the System 5
  - ▼ To Fit the Cable Management Bracket 9
- 3. 19-, 23- and 24-inch, and 600mm Rack Slide Mounts 11**
  - ▼ To Assemble the Slides and Mount the System 12
  - ▼ To Fit the Cable Management Bracket 15
- 4. Fixed Mounts 17**



# Figures

---

- FIGURE 2-1 Cable Management Bracket 4
- FIGURE 2-2 Slide Mounts for Sun 72-inch Expansion Rack 5
- FIGURE 2-3 Fixing Slide Mounts in Sun 72-inch Expansion Rack – Rear View (side panels removed for clarity) 6
- FIGURE 2-4 Fixing Slide Mounts in Sun 72-inch Expansion Rack – Front View (side panels removed for clarity) 7
- FIGURE 2-5 Adjusting the Mount and Tightening the Thumbscrew 8
- FIGURE 2-6 Cable Management Bracket Installed in Sun 72-inch Expansion Rack 9
- FIGURE 3-1 19-, 23- and 24inch and 600mm Rack Slide Mounts 12
- FIGURE 3-2 Fitting Slide Mounts to the Rack 13
- FIGURE 3-3 Fitting A Sun Fire V120 Into A Rack 14
- FIGURE 3-4 Cable Management Bracket Installed in a Rack 15
- FIGURE 4-1 Removing the Thumbscrew Brackets (Sun Fire V120 server shown) 18
- FIGURE 4-2 Fitting the Fixed Mounting Brackets (Sun Fire V120 server shown) 19
- FIGURE 4-3 Using Fixed Brackets (Sun Fire V120 server shown) 20



# Tables

---

TABLE 1-1	Common Rackmounting Kit Components	2
TABLE 1-2	Rackmounting Kit Slide Assemblies	2
TABLE 4-1	Fixed Bracket Mounting Kit	18





# Preface

---

This document gives instructions for using slide mounts or fixed brackets with various standard racks.

The document contains the following sections.

- “The Sun Rackmounting Kit” on page 1
- “Sun 72-inch Expansion Rack” on page 3
- “19-, 23- and 24-inch, and 600mm Rack Slide Mounts” on page 11
- “Fixed Mounts” on page 17

---

## Sun Welcomes Your Comments

We are interested in improving our documentation and welcome your comments and suggestions. You can email your comments to us at:

`docfeedback@sun.com`

Please include the part number (806-3856-13) of your document in the subject line of your email.

# The Sun Rackmounting Kit

---

---

# Rackmounting Kit Overview

Use this document with rackmounting kits for the products listed below.

- Netra t1
- Netra T1 AC200 and DC200
- Netra st D130
- StorEdge S1 Array
- Sun Fire V120 and Netra 120
- Sun Fire V100

TABLE 1-1 lists the common components used in the rackmount kits, while TABLE 1-2 lists the specific slide assemblies used in each kit, some of which vary according to the product they are used with.

For a list of the components used in the fixed-mount kit, see TABLE 4-1 on page 18.

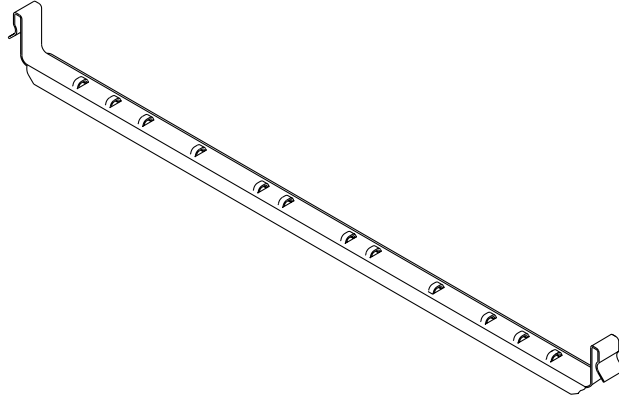
**TABLE 1-1** Common Rackmounting Kit Components

Description	Quantity	Part No.
Cable management bracket	1	340-6151
Thumbscrew bracket	2	340-6085
M4 8mm Phillips countersunk screw	4	240-3070
10-32 UNF Screws	8	240-1207

**TABLE 1-2** Rackmounting Kit Slide Assemblies

	19-inch & 72-inch	23-inch	24-inch	600mm
<b>Netra t1</b>	540-4362-xx	540-4359-xx	540-4360-xx	540-4361-xx
<b>D130</b>	540-4362-xx	540-4359-xx	540-4360-xx	540-4361-xx
<b>StorEdge S1</b>	540-4362-xx	540-4359-xx	540-4360-xx	540-4361-xx
<b>Netra T1</b>	540-4785-xx	540-4359-xx	540-4360-xx	540-4361-xx
<b>Sun Fire V120, Netra 120</b>	540-4785-xx	540-4359-xx	540-4360-xx	540-4361-xx
<b>Sun Fire V100</b>	540-4785-xx	540-4359-xx	540-4360-xx	540-4361-xx

A cable management bracket is provided with each rackmount kit to aid cable management at the rear of the system.



**FIGURE 1-1** Cable Management Bracket



## Sun 72-inch Expansion Rack

---

For a list of the part numbers you need, see “Rackmounting Kit Overview” on page 2.

## ▼ To Assemble the Slides and Mount the System

1. Position the two parts of the slide so that the double-angled ear (A) is to the rear.
2. Make sure that the front and rear mounting ears are the correct distance apart and loosely secure the two parts together using the M4 nuts supplied.

Refer to FIGURE 2-1.

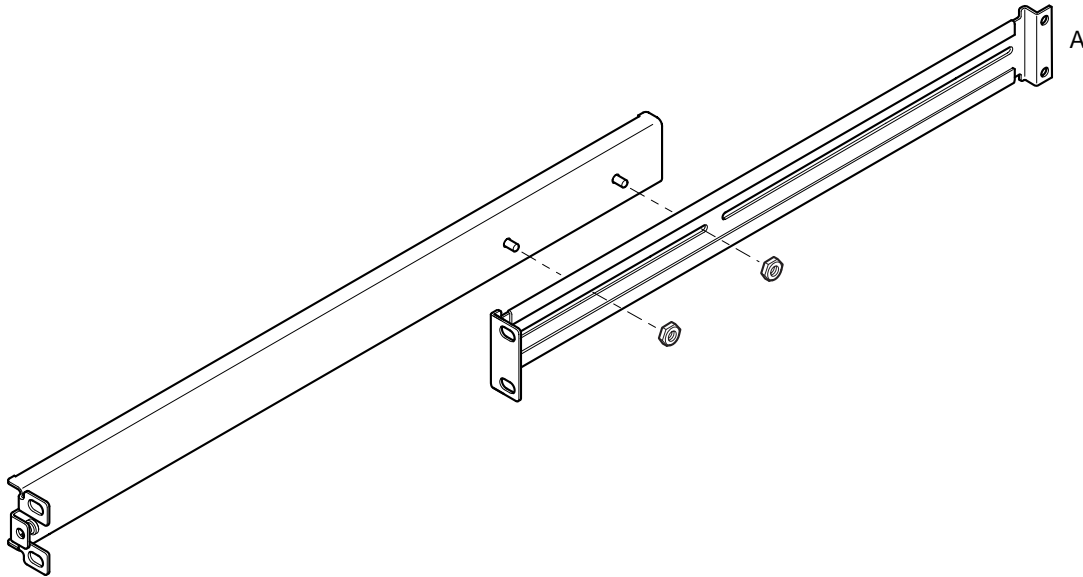


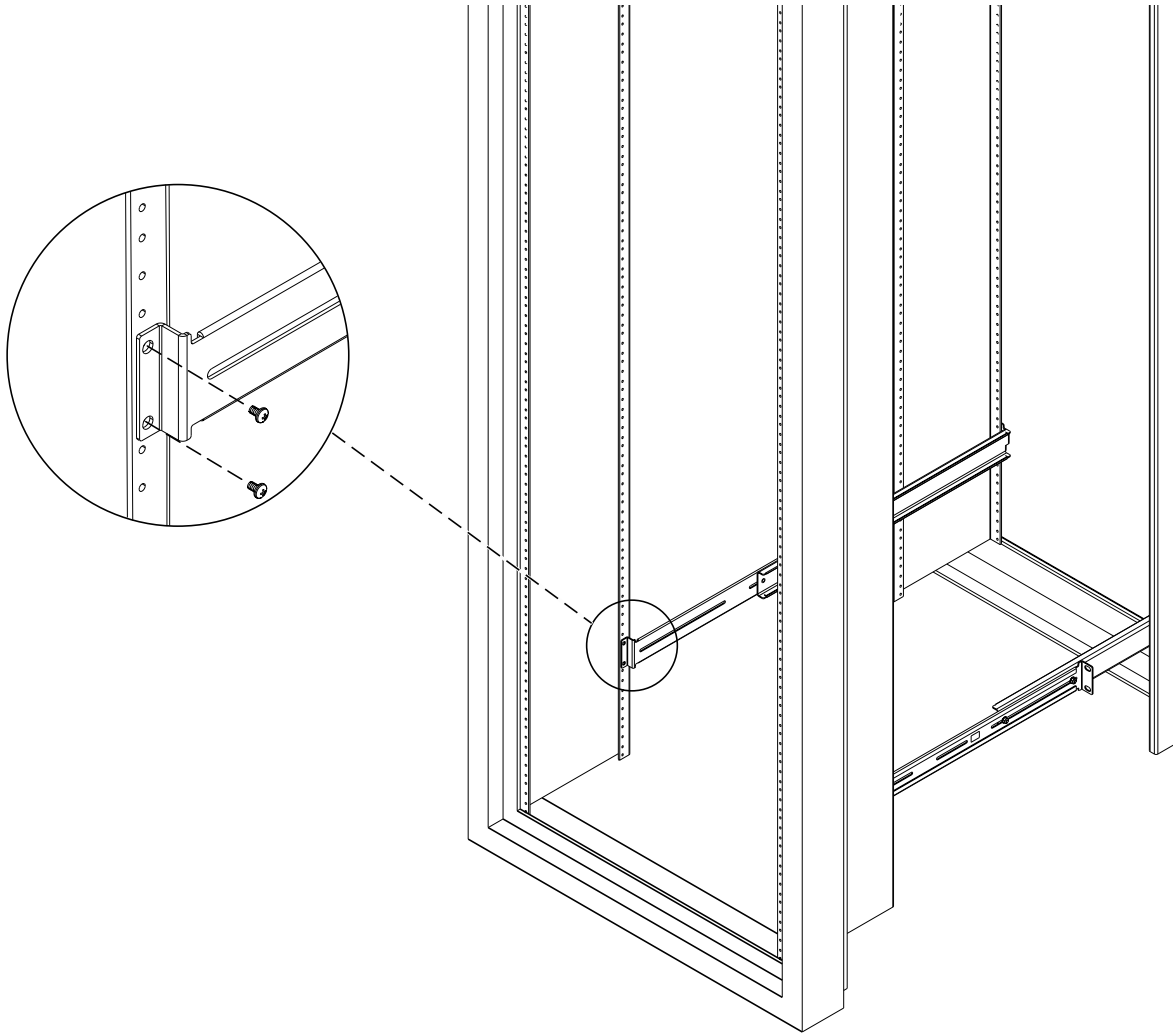
FIGURE 2-1 Slide Mounts for Sun 72-inch Expansion Rack

3. Adjust the mount to fit the rack.
4. Move the brackets so that the studs are in suitable slots and tighten the nuts.
5. Fasten the mounting slides to the rack using the screws supplied.

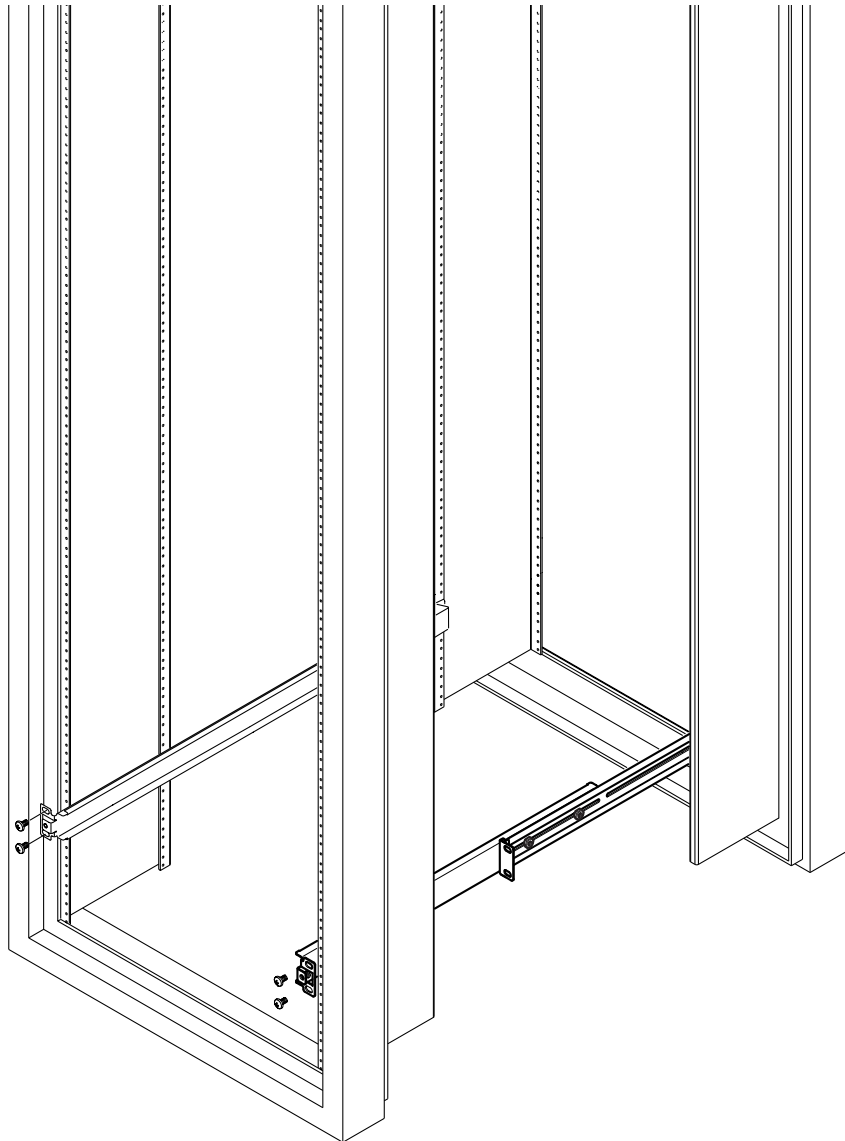
Refer to FIGURE 2-2 on page 5 and FIGURE 2-3 on page 6. Leave the screws slightly loose to allow adjustment when the system is inserted.

6. Slide the system into the rack.



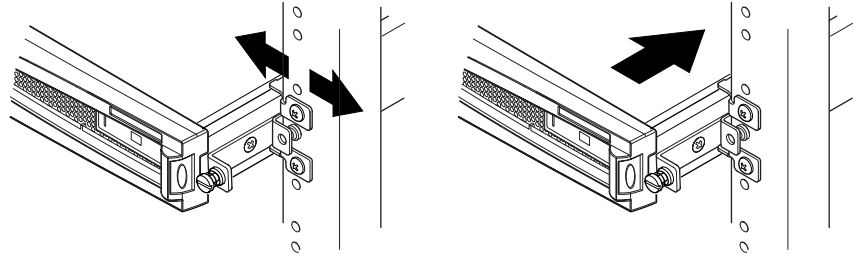


**FIGURE 2-2** Fixing Slide Mounts in Sun 72-inch Expansion Rack – Rear View (side panels removed for clarity)



**FIGURE 2-3** Fixing Slide Mounts in Sun 72-inch Expansion Rack – Front View (side panels removed for clarity)

- 7. Align the system so that the thumbscrews on its sides fit into the slide mounts in the rack (see FIGURE 2-4).**
- 8. Tighten the slide mounts in the rack.**

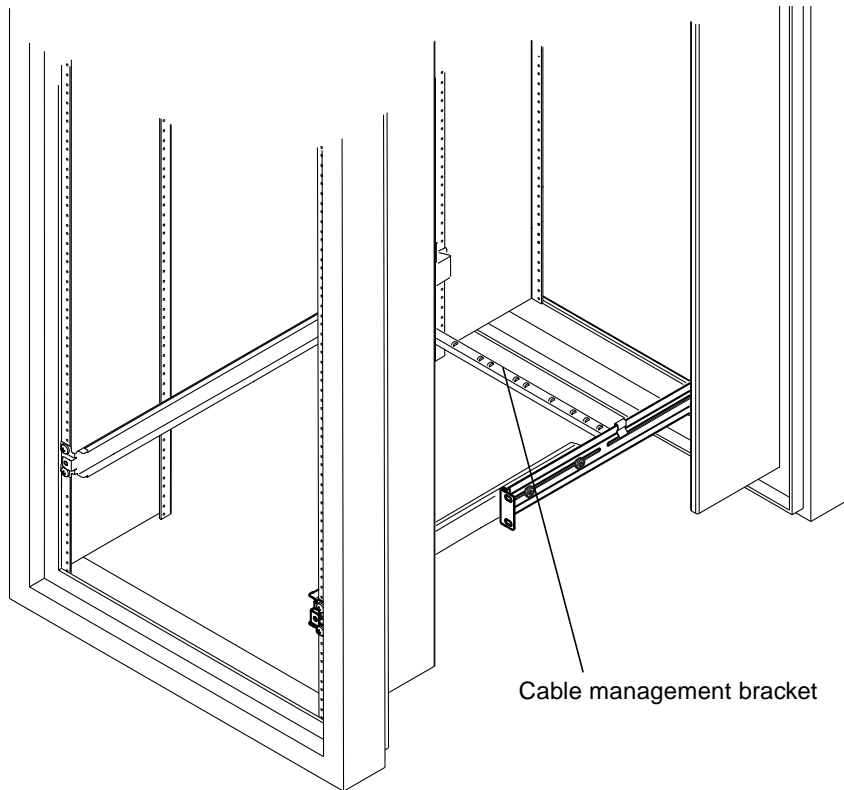


**FIGURE 2-4** Adjusting the Mount and Tightening the Thumbscrew

- 9. Use a screwdriver to tighten the thumbscrews on the side of the server.**

## ▼ To Fit the Cable Management Bracket

- **Hook the bracket over the slide mounts at the rear of the system.**  
You can use the loops in the bracket to secure the cables with cable ties.



**FIGURE 2-5** Cable Management Bracket Installed in Sun 72-inch Expansion Rack

## 19-, 23- and 24-inch, and 600mm Rack Slide Mounts

---

**Note** – 10-32 UNF screws are provided in the 23 inch, 24 inch, and 600mm Rackmounting Kits. For details of alternate screws you may need instead of these, please check the documentation supplied by your rack vendor.

---

For a list of the part numbers you need, see “Rackmounting Kit Overview” on page 2.

## ▼ To Assemble the Slides and Mount the System

1. Position the two parts of the slide so that the double-angled ear (A) is to the front.

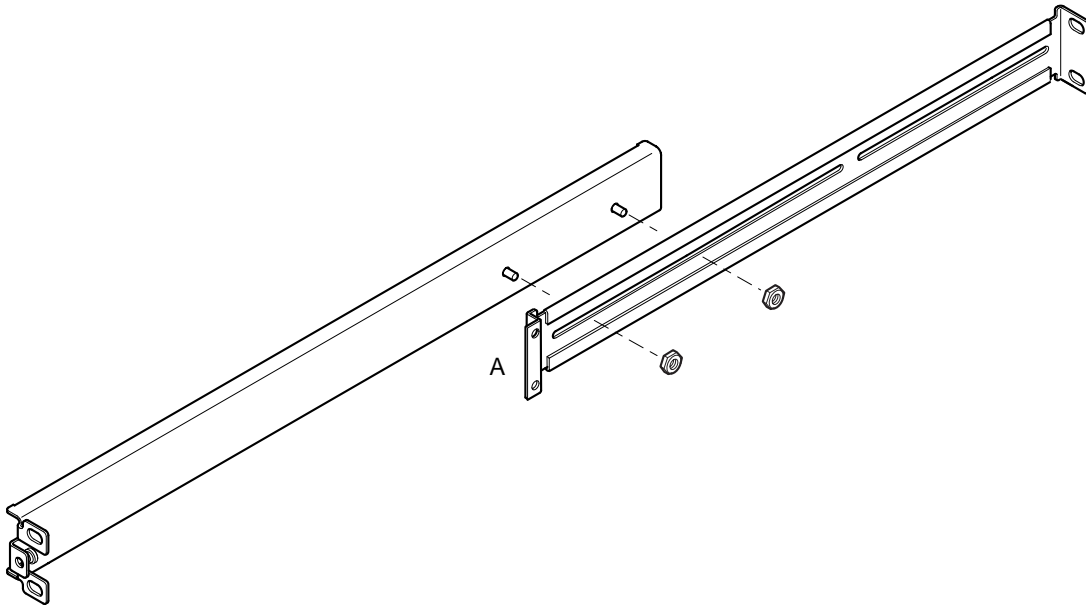
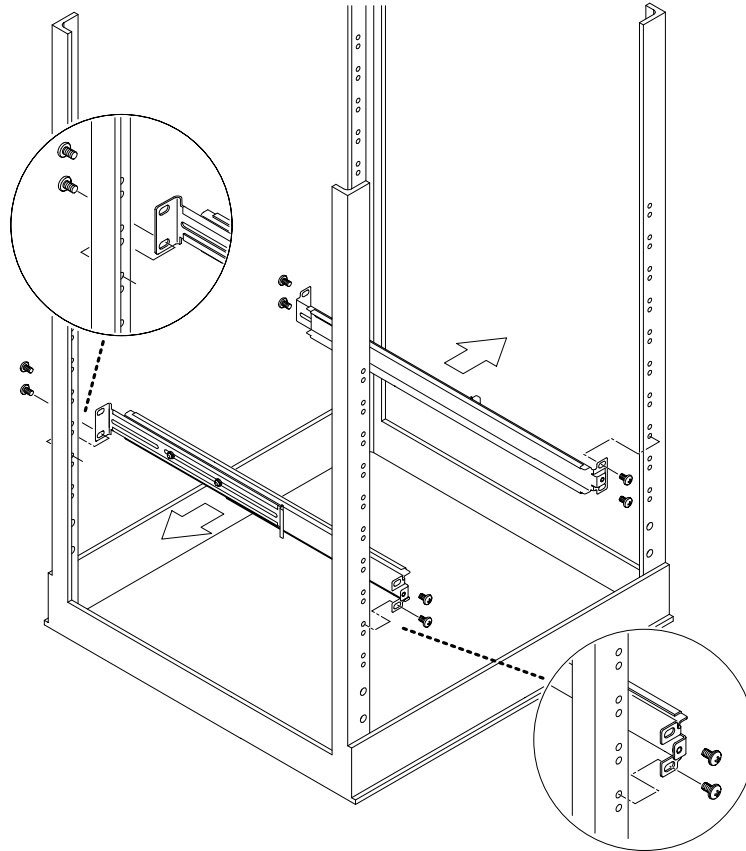


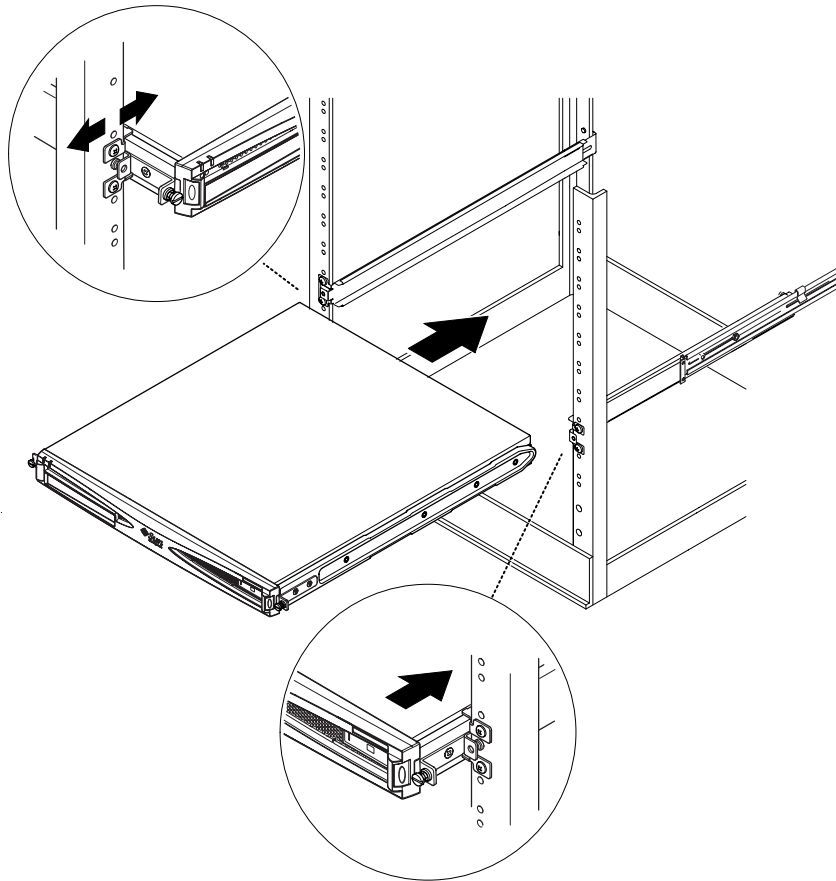
FIGURE 3-1 19-, 23- and 24inch and 600mm Rack Slide Mounts

2. Ensure that the front and rear mounting ears are the correct distance apart, and loosely secure the two parts together using the M4 nuts supplied.
3. Adjust the mount to fit the rack.  
The ears must be outside the rack.
4. Move the brackets so that the studs are in suitable slots and tighten the nuts.
5. Fasten the mounting slides to the rack using the screws supplied.  
Refer to FIGURE 3-2 on page 13. Leave the screws slightly loose to allow adjustment when the system is inserted.



**FIGURE 3-2** Fitting Slide Mounts to the Rack

- 6. Slide the system into the rack.**
- 7. Align the system so that the thumbscrews on its sides fit into the slide mounts in the rack.**
- 8. Tighten the slide mounts in the rack.**  
It may be necessary to readjust the fixings in order to align the system as required.
- 9. Use a screwdriver to tighten the thumbscrews on the side of the system.**

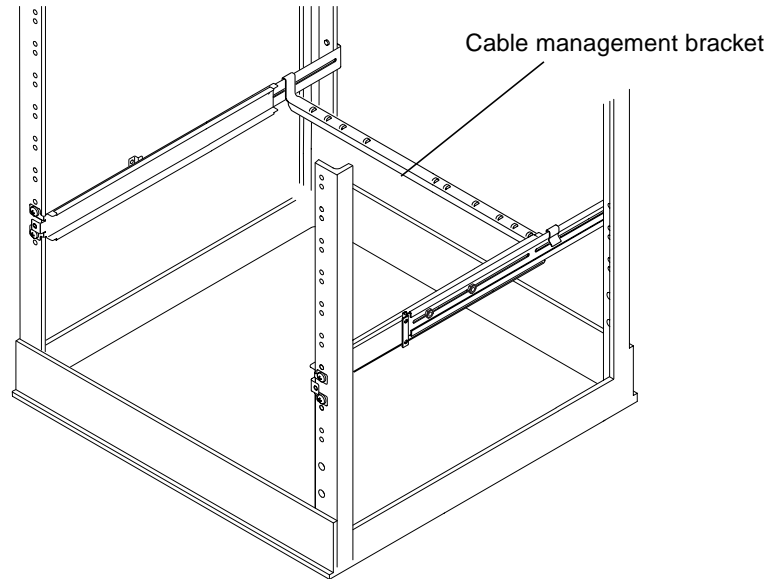


**FIGURE 3-3** Fitting A Sun Fire V120 Into A Rack



## ▼ To Fit the Cable Management Bracket

- **Hook the bracket over the slide mounts at the rear of the system.**  
You can use the loops in the bracket to secure the cables with cable ties.



**FIGURE 3-4** Cable Management Bracket Installed in a Rack



## Fixed Mounts

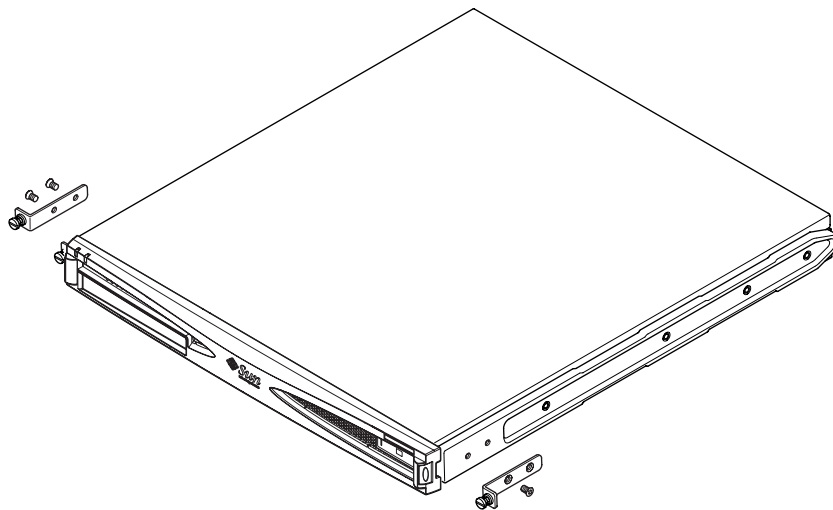
---

The parts required are listed below:

**TABLE 4-1** Fixed Bracket Mounting Kit

Description	Quantity	Part No.
Bracket	4	340-5819
M4 x 8mm countersunk Phillips screws	4	240-3070
10-32 UNF screws	8	240-1207

- 1. Remove the thumbscrew rack brackets from either side of the system.**



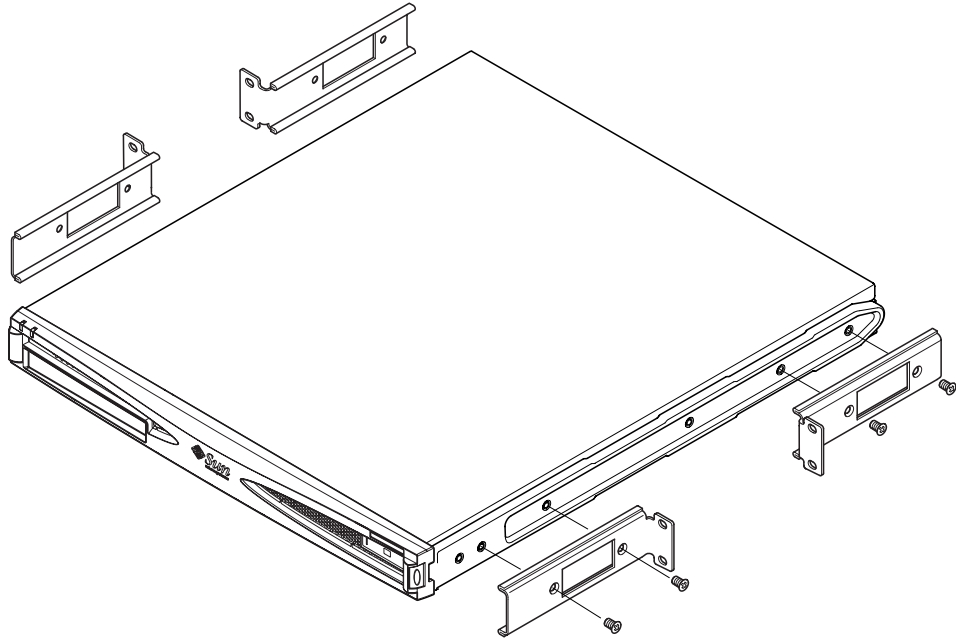
**FIGURE 4-1** Removing the Thumbscrew Brackets (Sun Fire V120 server shown)

- 2. Fit the two front fixed brackets to the second and third of the tapped holes along the side of the server (counting from the front of the system towards the rear.**  
Use the Phillips-head countersunk screws provided but do *not* fit the rear brackets yet.

---

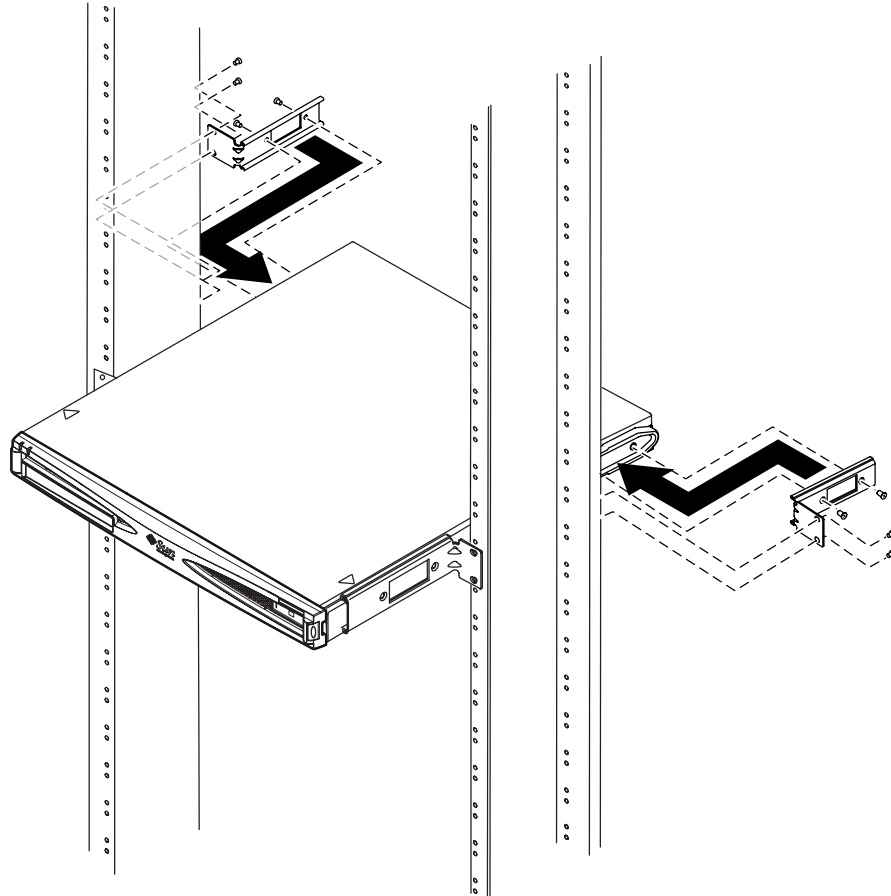
**Note** – Only fit the rear brackets when you have completed steps 1 through 4.

---



**FIGURE 4-2** Fitting the Fixed Mounting Brackets (Sun Fire V120 server shown)

- 3. Secure the system to the rack using just the front brackets, but do not fully tighten the screws at this stage.**  
Refer to FIGURE 4-3 on page 20.
- 4. Fit the two rear fixed brackets to the two tapped holes at the rear of the system on each side, using the Phillips-head countersunk screws provided.**  
Refer to FIGURE 4-3 on page 20.
- 5. Secure the rear brackets to the rack in the appropriate place.**  
Refer to FIGURE 4-3 on page 20.
- 6. Once you are certain that all the rack fixing screws are correctly aligned, they can be fully tightened.**



**FIGURE 4-3** Using Fixed Brackets (Sun Fire V120 server shown)